

| | | | |
|-----------------|--|----------|------------|
| Sly Contact: | Linus Ridge | Date: | 07/09/2011 |
| Client: | | Contact: | |
| Document Title: | Hessian Interceptor © Product Data Sheet | | |



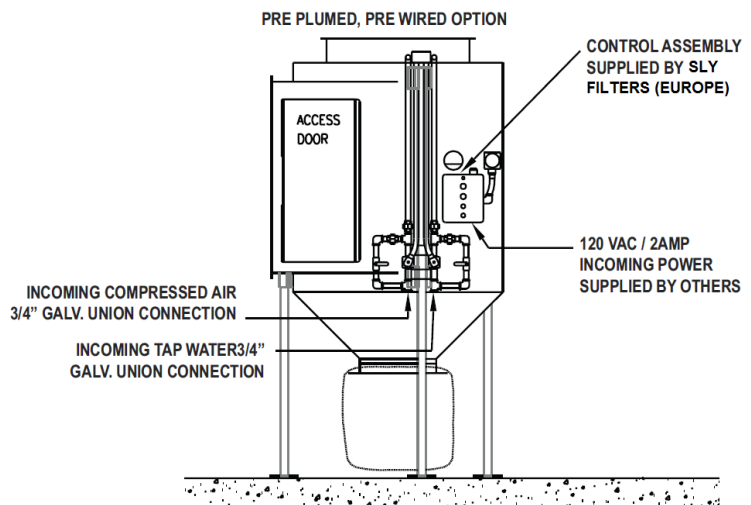
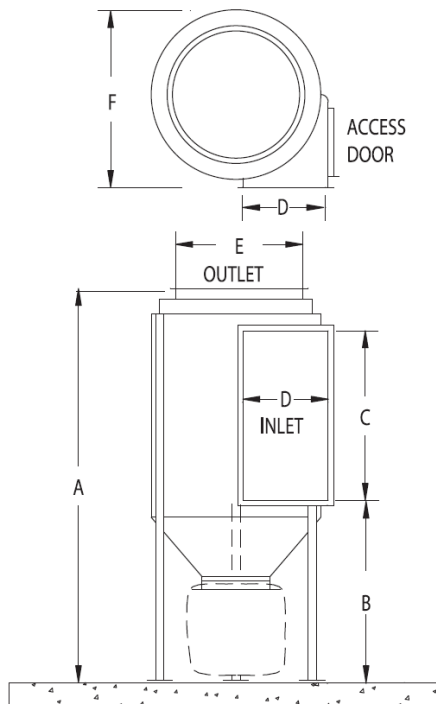
Hessian Interceptor© Product Data Sheet: System 400

- Collects 98% of Hessian from dryers
- Designed for **MAXIMUM DRYER EFFICIENCY**
- Minimum maintenance & downtime
- “Quick Change” Screens
- Auto cleaning
- Accommodates single or multiple (small or large) dryers
- Choice of Fiberglass or Stainless
- Custom Capabilities
- Over-Pressure Alert
- Variable Frequency Fans
- OPTIONAL FEATURES:**
- Fire Suppression • Horizontal Exhaust
- Assist Booster Fan • Inlet Transitions (adapter)
- Pre-wired + Pre-plumbed • Custom Sizes
- Air Reservoir Tanks & more - see reverse side



**FRX-CLASS 1
FIRE RETARDANT FIBERGLASS**

**TYPE 304-16 GAUGE
STAINLESS STEEL**



Address:
Sly Filters Europe Ltd
12 Coal Cart Road
Interchange Leicester
Birstall ,Leicester
UK, LE4 3BY
Company Reg No. 4323956

Contact
Tel: +44 116 2608187
Fax: +44 116 2640543
www.slyfilters.com
sale@slyfilters.com

Bank:
National Westminster Bank
14-16 Haymarket, Leicester,
LE1 3NT, U.K.
Sort Code 60 60 06
Account No. 30453887
VAT Reg: GB 787 080106

Executive Board UK:
Chairman K W I Ridge
Managing Director L I Ridge
Directors K W I Ridge, L I Ridge



| | | | |
|-----------------|--|----------|------------|
| Sly Contact: | Linus Ridge | Date: | 07/09/2011 |
| Client: | | Contact: | |
| Document Title: | Hessian Interceptor © Product Data Sheet | | |



| Hessian Interceptor© - System 400 | | | | | | | |
|--|----------------|----------------|----------------|----------------|----------------|----------------|----------------|
| Model | SHI-406 | SHI-410 | SHI-411 | SHI-415 | SHI-418 | SHI-422 | SHI-430 |
| CFM | 6,000 | 10,000 | 11,000 | 15,000 | 18,000 | 22,500 | 30,000 |
| Screen | 22 | 36 | 37 | 45 | 54 | 82 | 102 |
| A | 81 | 94 | 84 | 96 | 96 | 102 | 114 |
| B | 39 | 45 | 41 | 46 | 46 | 57 | 53 |
| C | 30 | 40 | 28 | 40 | 40 | 42 | 50 |
| D | 20 | 20 | 30 | 30 | 30 | 42 | 50 |
| E | 24 | 30 | 30 | 30/36 | 36 | 48 | 56 |
| F | 40 | 46 | 53 | 53 | 62 | 86 | 86 |

Hessian Interceptor© Options + Upgrades

SYSTEM 400 models represent a design concept requiring minimum space to install while providing large area filtration. All models are tall, slim and compact; often referred to as “inline” models. The DLF-400 Series filters are all weather construction and may be mounted inside or outside, even in extreme conditions.

SYSTEM 400 models are available in either Fiberglass or Stainless Steel Body Assemblies. Choose from Seven (7) different sizes with CFM ratings ranging from 6,000 – 30,000 CFM. **SYSTEM 400** filters may be mounted individually to the dryer or one large filter connected to multiple dryers. Customization is available for special or unique situations – call us for details.

The **SYSTEM 400's Screen** area is a large a cylindrical-shaped, hi-temp PECAP or stainless steel filtration media. The screen stretches over a firmly welded steel cage. An accessible inspection door allows the screen and air wand assembly to be easily maintained. An **automatic “blowdown”** mechanism rotates on top and bottom rotors, with air jets stripping the Hessian blanket from the screen and allowing it to fall by gravity into a lower collection bag. An automatic pre-set timer control and solenoid valve provides periodic release of compressed air to operate the blowdown system and air jets.

Sly Filters (Europe) 135+ years of manufacturing filtration systems allows us to offer you complete engineering and technical assistance *assuring perfect installation every time*. Parts are readily available and ship

Choosing the Right Model

Due to varying exhaust designs, it is good practice to select a filter that is oversized by at least 15% of the dryer's rating. Example: For a dryer installation having a combined total of 8000 CFM, a filter with 10,000 CFM capacity should be used.

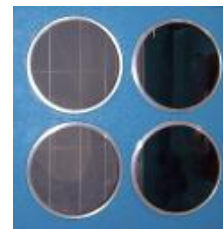
Options



OPA Overpressure Alert (switch, horn, light) -installed on unit by factory upon request



SPM Static Pressure Monitor (3” Dia. Gage)



IPS Inlet Plate with Slip Collar

Address:
Sly Filters Europe Ltd
 12 Coal Cart Road
 Interchange Leicester
 Birstall ,Leicester
 UK, LE4 3BY
 Company Reg No. 4323956

Contact
 Tel: +44 116 2608187
 Fax: +44 116 2640543
 www.slyfilters.com
 sale@slyfilters.com

Bank:
 National Westminster Bank
 14-16 Haymarket, Leicester,
 LE1 3NT, U.K.
 Sort Code 60 60 06
 Account No. 30453887
 VAT Reg: GB 787 080106

Executive Board UK:
 Chairman K W I Ridge
 Managing Director L I Ridge
 Directors K W I Ridge, L I Ridge



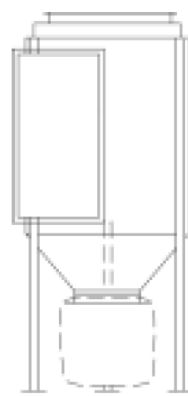
Certification No. FS578090

| | | | |
|-----------------|--|----------|------------|
| Sly Contact: | Linus Ridge | Date: | 07/09/2011 |
| Client: | | Contact: | |
| Document Title: | Hessian Interceptor © Product Data Sheet | | |

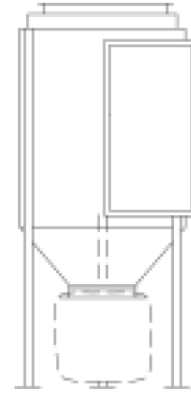


Additional Options

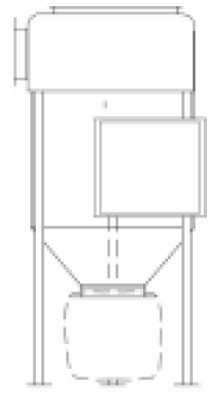
- OPA** Overpressure Alert
- Top/Side (Horizontal) Outlet**
- EFC** Emergency Fire Control System
- IPM** Inlet Plate with Slip Collars custom on each order
- VTC** 30, 60 or 80 Gallon Air Reservoir Tank (vertical with valves, gage, plugs and fittings)
- PWPP** Pre-wired & Pre-plumbed (control box, valves & sensors installed on unit)
- BDS** Barometric Damper on Side Outlet (for downstream fan)
- UL** Certified Control Box
- Additional Side Inlet, Custom Inlet/Outlet Transition Piece



Optional Left Hand Inlet



Standard Top Exhaust



Optional Side Exhaust

Address:
Sly Filters Europe Ltd
 12 Coal Cart Road
 Interchange Leicester
 Birstall ,Leicester
 UK, LE4 3BY
 Company Reg No. 4323956

Contact
 Tel: +44 116 2608187
 Fax: +44 116 2640543
 www.slyfilters.com
 sale@slyfilters.com

Bank:
 National Westminster Bank
 14-16 Haymarket, Leicester,
 LE1 3NT, U.K.
 Sort Code 60 60 06
 Account No. 30453887
 VAT Reg: GB 787 080106

Executive Board UK:
 Chairman K W I Ridge
 Managing Director L I Ridge
 Directors K W I Ridge, L I Ridge



Certification No. FS578090